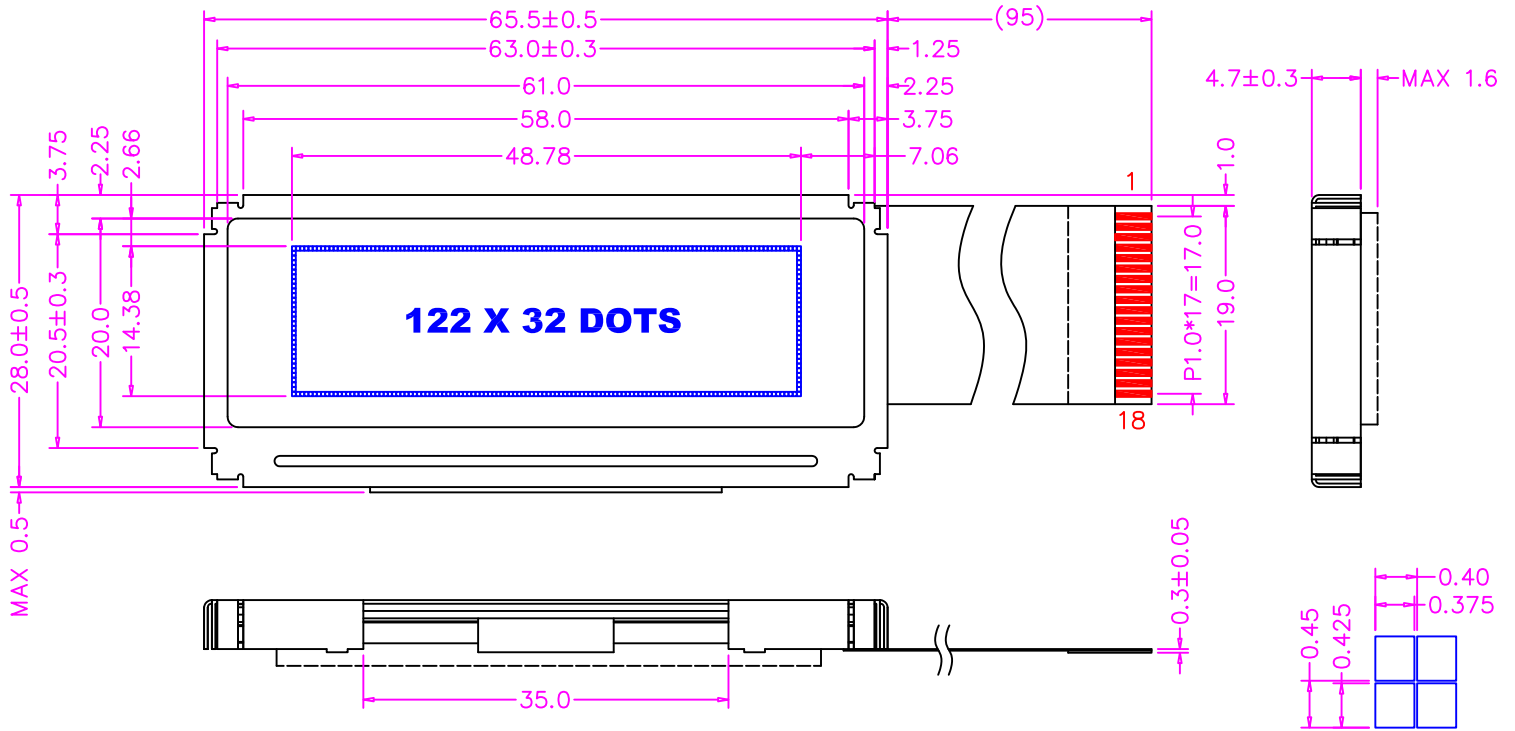


① External Dimensions



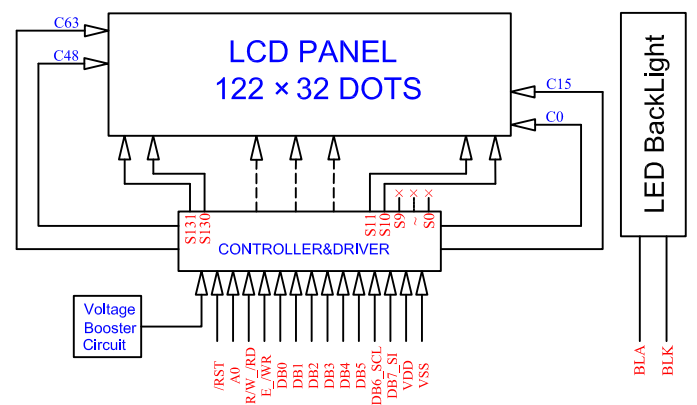
② Electrical Characteristics

ITEM	Symbol	Condition	Min.	Typ.	Max.	Unit
Operating Voltage	VDD	Ta=25° C		5.0		V
Operating Voltage for LCD	V0	Ta=25° C		7.0		V
Supply Current	IDD	VDD=5.0V		0.4		mA

③ Pin Configuration

Pin	Symbol	Level	Description
1	VDD	3.3/5.0V	Supply Voltage for logical circuit
2	VSS	0V	Power GND
3	NC	-	Non-Connection
4	/RST	-	Reset Signal
5	E_/RD	H, H→L	/RD signal or enable clock input
6	NC	-	Non-Connection
7	R/W_/WR	H/L	/WR signal or read/write control signal
8	A0	H/L	Register select input pin
9	DB0	H/L	Data Bus
10	DB1	H/L	
11	DB2	H/L	
12	DB3	H/L	
13	DB4	H/L	
14	DB5	H/L	
15	DB6_SCLK	H/L	data bus or serial clock input
16	DB7_SI	H/L	data bus or serial data input
17	BLA	+3.3V	LED BACKLIGHT +
18	BLK	0V	LED BACKLIGHT -

④ Block Diagram



⑤ Example Power Supply

